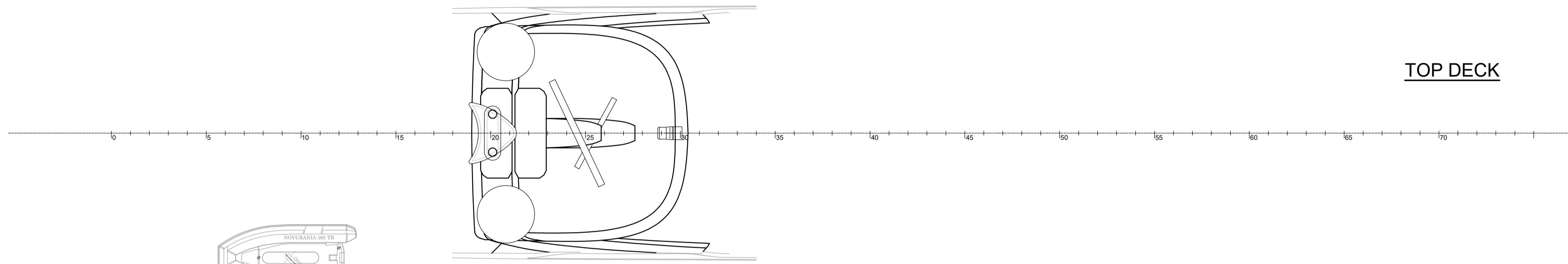
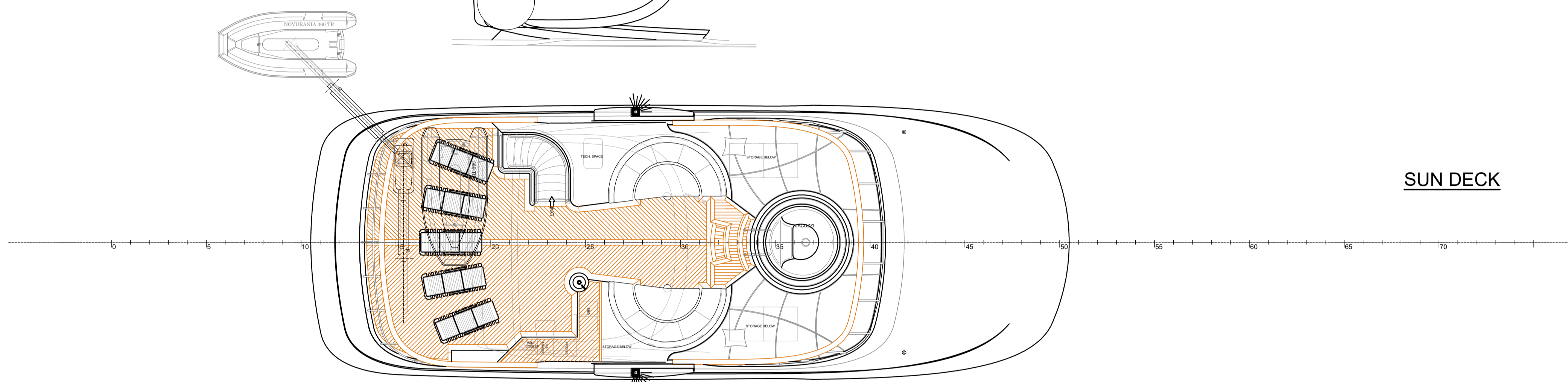


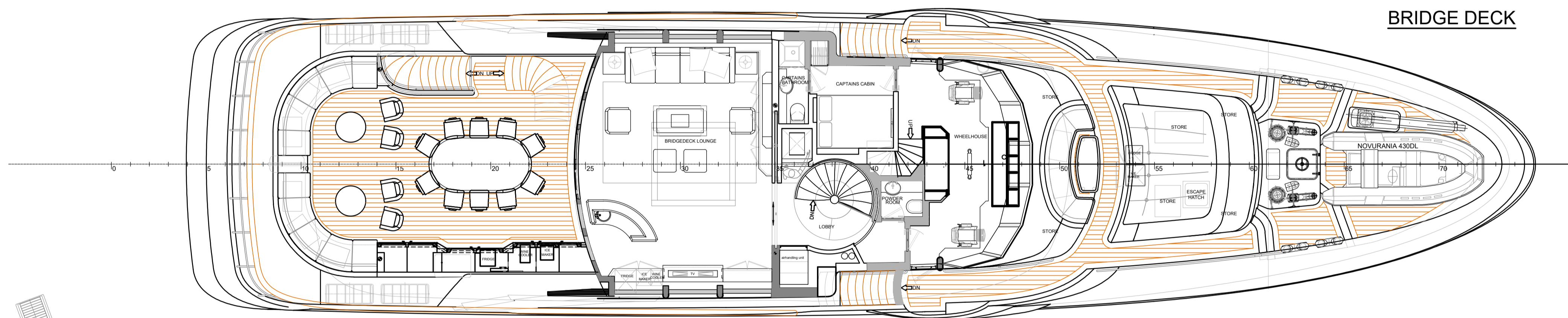
PROFILE SB



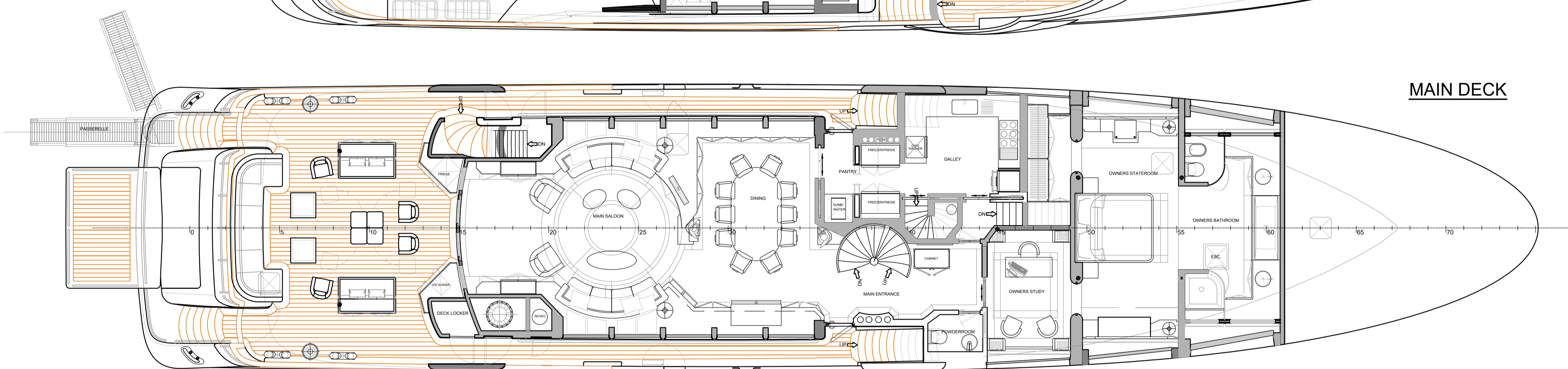
TOP DECK



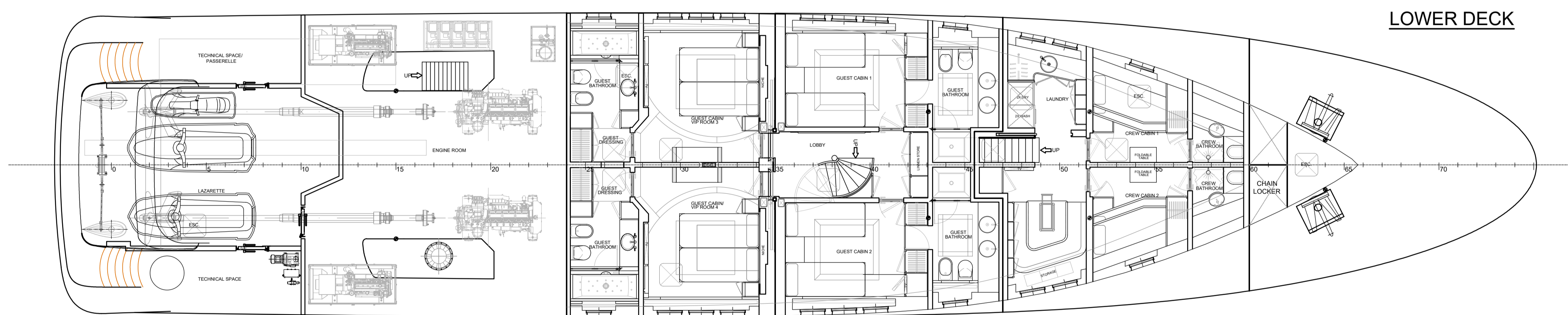
SUN DECK



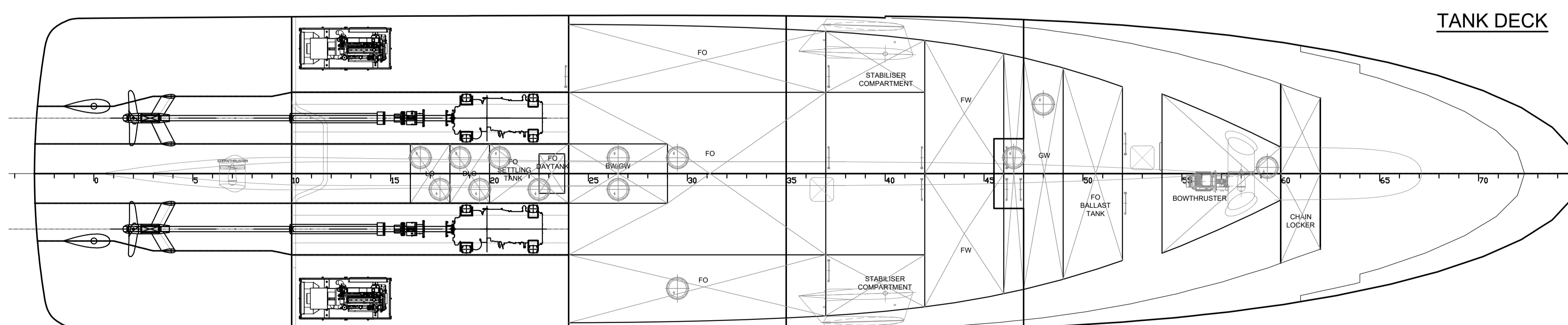
BRIDGE DECK



MAIN DECK



LOWER DECK



TANK DECK

MAIN PARTICULARS

LENGTH OVERALL	39.00 m
LENGTH WATERLINE	32.90 m
BEAM MOULDED	8.00 m
DEPTH MOULDED	4.30 m
LOADLINE DRAFT	2.55 m

C					
B					
A					
Rev.	Revision note:	Drawn by:	Revision date:		
		HAKVOORT SHIPYARD Havenstraat 22 1141 AX Molenpolder The Netherlands Phone: +31-(0)299-651403 E-mail: sales@hakvoort.com Web-adres: www.hakvoort.com			
Drawing description: General Arrangement		Project: 245			
Drawn by:	Drawn date:	Format:	Draw scale:	Drawing No.:	Sheet:
EM	10-12-2010	A-0	1:75	245-013.04	1/1
This drawing is copyright of Hakvoort Shipyard and may not be used, reproduced, or modified in any way without prior written permission © All Rights Reserved					Revision: 0